



RISHABH

Data Sheet

3 Phase RJ 12 Current Transformer



Features :

- Primary Current 60A to 800A
- Secondary Current output 100 mA (Standard)
- Easy Installation



Measure



Control



Record



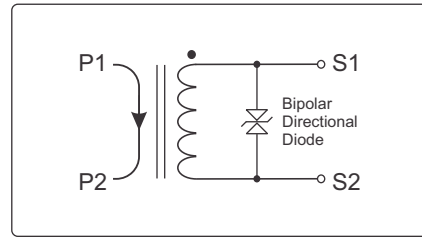
Analyze

Rish CT with RJ12:

3 Phase RJ 12 CT:

3 Phase RJ 12 CTs are available in following models:

- RJ12- 215
- RJ12-75
- RJ12-105
- RJ12-140

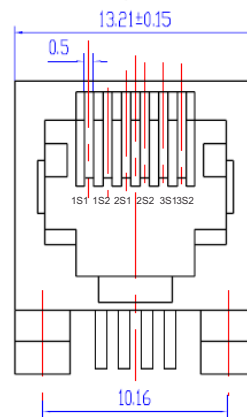
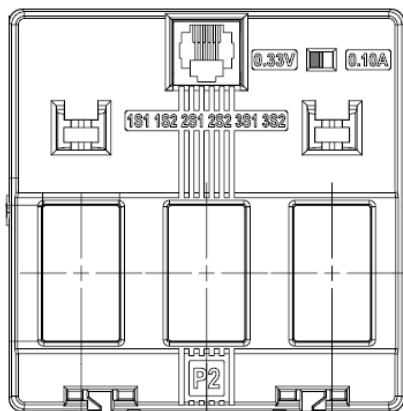


Protection Circuitry

Technical Specifications:

Applicable Standard	IEC 61869 - 2
Case	Polycarbonate, Flame retardant grades classified UL 94V-0
Connection	RJ 12 connection
Insulation Class	E (120°C)
Maximum Operating Voltage (Um)	0.72 kV Maximum
Test Voltage	3 kV, 50 Hz for 1 Minute
Operating Frequency	50 Hz
Rated Primary Rating	60 A to 800 A
Rated Secondary Output	100mA
Rated Burden	0.25 , 0.5 VA
Class of Accuracy	0.5 or 1
Operating Temperature	-25 ° C to +40° C
Storage Temperature	-50 ° C to +80° C
Thermal Short Circuit Rated Current (Ith)	40 X In
Dynamic Short Circuit Current (Idyn)	2.5 X Ith
Thermal Nominal Continuous Rated Current (Icth)	1.2 X In

RJ-12 Connector:



Measure



Control

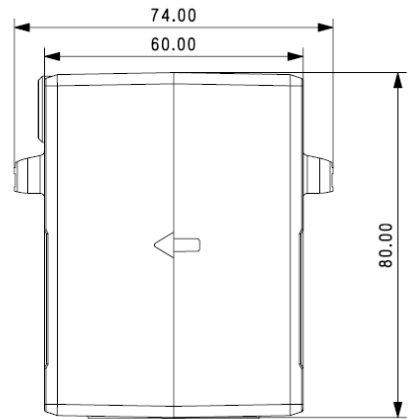
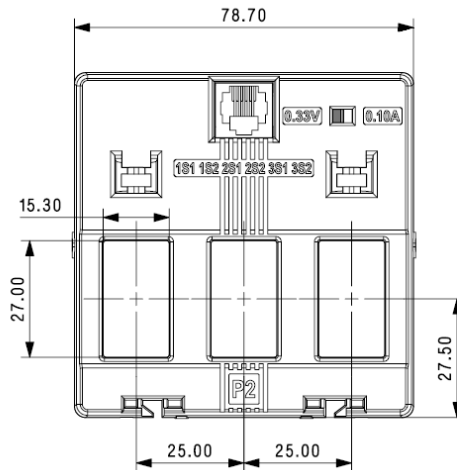


Record



Analyze

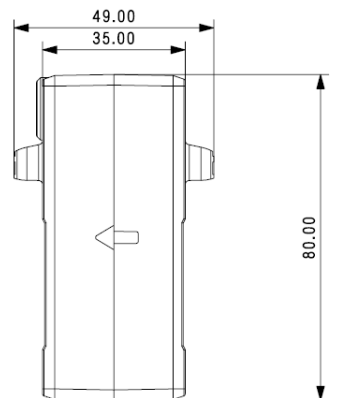
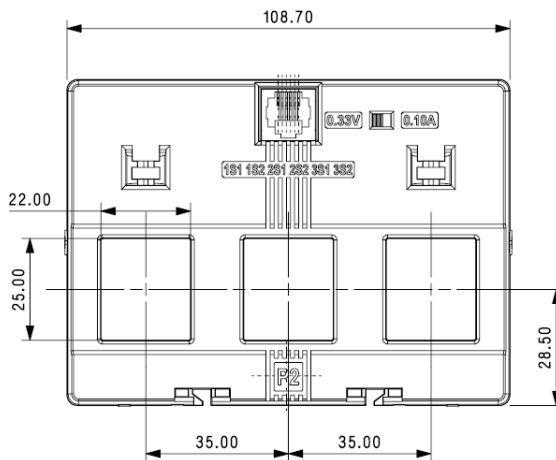
RISH RJ 12-75



ALL DIMENSIONS ARE IN MM

Primary Current	Secondary Current	RJ 12 - 75	
		Accuracy	
		1.0	
60 A	0.1 A	0.25 VA	
100 A	0.1 A	0.25 VA	
125 A	0.1 A	0.25 VA	
160 A	0.1 A	0.25 VA	

RISH RJ 12-105



ALL DIMENSIONS ARE IN MM

Primary Current	Secondary Current	RJ 12 - 105	
		Accuracy	
		1.0	0.5
60 A	0.1 A	0.25 VA	0.25 VA
125 A	0.1 A	0.35 VA	0.25 VA
160 A	0.1 A	0.5 VA	0.25 VA
250 A	0.1 A	0.5 VA	0.25 VA



Measure



Control

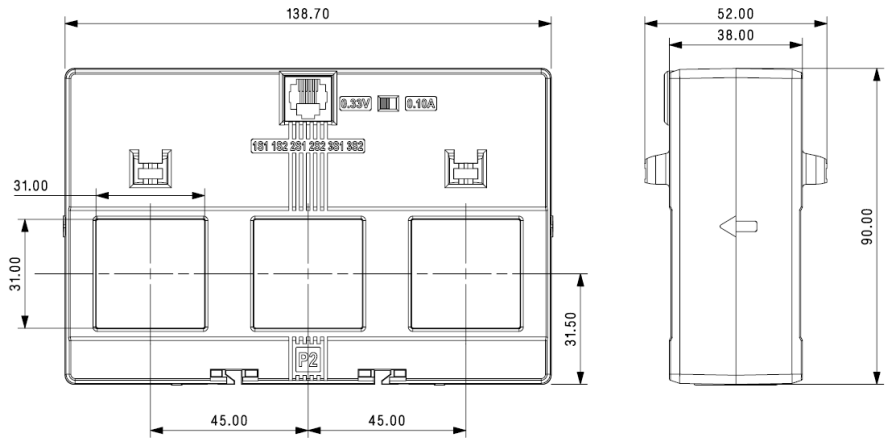
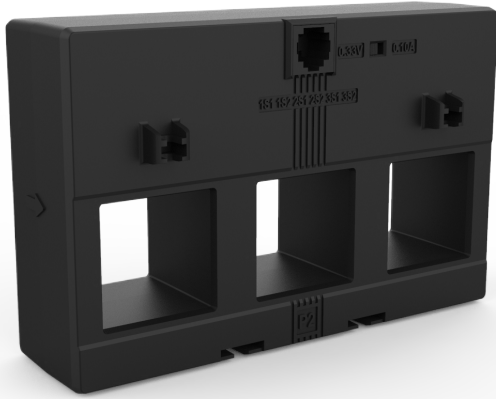


Record



Analyze

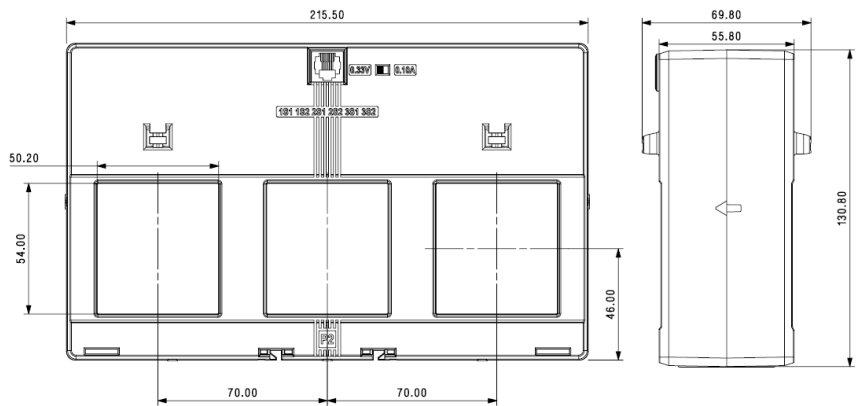
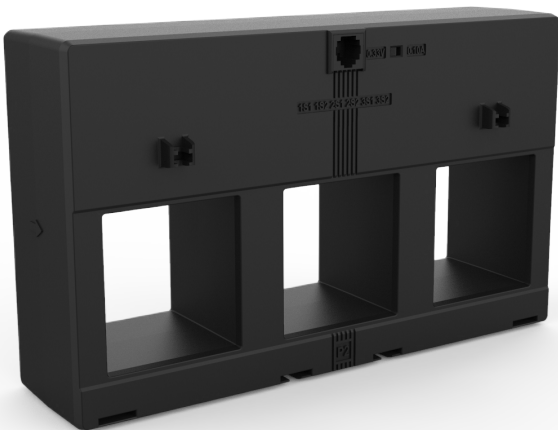
RISH RJ 12-140



ALL DIMENSIONS ARE IN MM

Primary Current	Secondary Current	RJ 12 - 140
		Accuracy
		1.0
250 A	0.1 A	0.25 VA
400 A	0.1 A	0.25 VA
630 A	0.1 A	0.25 VA

RISH RJ 12-215



ALL DIMENSIONS ARE IN MM

Primary Current	Secondary Current	RJ 12 - 215
		Accuracy
		1.0
750 A	0.1 A	0.5 VA
800 A	0.1 A	0.5 VA



Measure



Control



Record



Analyze

Ordering Information:

Order Code for RJ-75

Product Code	XRJ	X-	XX	X	X	X	X	0000000
Type	RJ 12-75	1						
Primary Current	60 A		01					
	100 A		02					
	125 A		03					
	160 A		04					
Secondary Output	0.1 A			2				
VA	0.25 VA				A			
Accuracy Class	1					1		
Colour	Black						B	
	Gray						G	

*Example: RJ12-75, 125/330mV, Class 1, Gray: XRJ1-031X1G0000000.

Order Code for RJ-105

Product Code	XRJ	X-	XX	X	X	X	X	0000000
Type	RJ 12-105	2						
Primary Current	60 A		01					
	125 A		03					
	160 A		04					
	250 A		05					
Secondary Output	0.1 A			2				
VA	0.25 VA				A			
	0.35 VA				B			
	0.5 VA				C			
Accuracy Class	0.5					0		
	1					1		
Colour	Black						B	
	Gray						G	

*Example: RJ12-105, 160A, With selector switch, 0.35 VA, Class 0.5, Black: XRJ2-043B0B0000000.



Measure



Control



Record



Analyze

Ordering Information:

Order Code for RJ-140

Product Code	XRJ	X-	XX	X	X	X	X	0000000
Type	RJ 12-140	3						
Primary Current	250 A		05					
	400 A		06					
	630 A		07					
Secondary Output	0.1 A		2					
VA	0.25 VA				A			
Accuracy Class	1					1		
Colour	Black						B	
	Gray						G	

*Example: RJ12-140, 400/0.1 A, 0.25 VA, Class 1, Gray: XRJ3-062A1G0000000.

Order Code for RJ-215

Product Code	XRJ	X-	XX	X	X	X	X	0000000
Type	RJ 12-215	4						
Primary Current	750 A		08					
	800 A		09					
Secondary Output	0.1 A			2				
VA	0.5VA				C			
Accuracy Class	1					1		
Colour	Black						B	
	Gray						G	

*Example: RJ12-215, 750/0.1 A, 0.5 VA, Class 1, Black: XRJ4-082C1B0000000.



Measure



Control



Record



Analyze

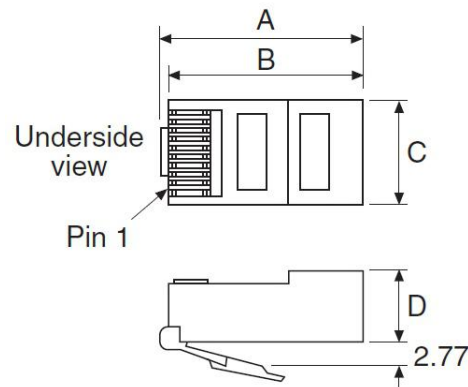
Rish Nano CT with RJ12:

Specifications:

Applicable Standard	IEC 61869 - 2
Case	Polycarbonate, Flame retardant grades classified UL 94V-0.
Connection	RJ 12 connection.
Insulation Class	E
Maximum Operating Voltage (Um)	0.72 kV Maximum.
Test Voltage	3 kV, 50 Hz for 1 Minute.
Operating Frequency	50/60 Hz
Rated Primary Rating	63 A, 125A, 250A.
Rated Secondary Output	100mA
Rated Burden	0.1 VA.
Class of Accuracy	0.5
Operating Temperature	-25 ° C to +40° C
Storage Temperature	-50 ° C to +80° C
Thermal Short Circuit Rated Current (Ith)	40 X In
Dynamic Short Circuit Current (Idyn)	2.5 X Ith
Thermal Nominal Continuous Rated Current (Icth)	1.2 X In

RJ-12 connector:

RJ-12 connector dimensions:



Ways	A	B	C	D
6	13.35	12.43	9.65	6.6



Measure



Control

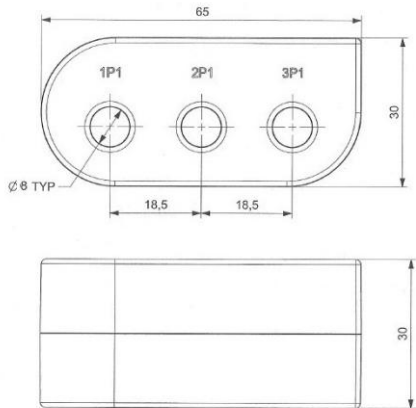


Record

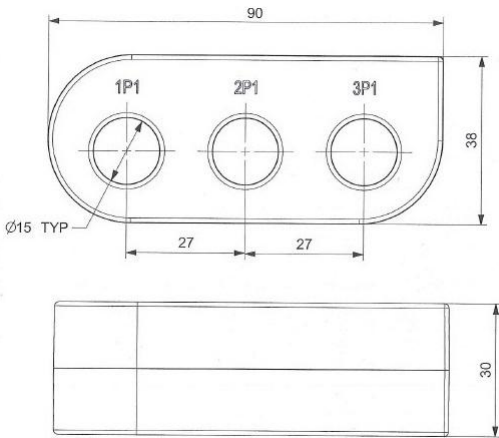


Analyze

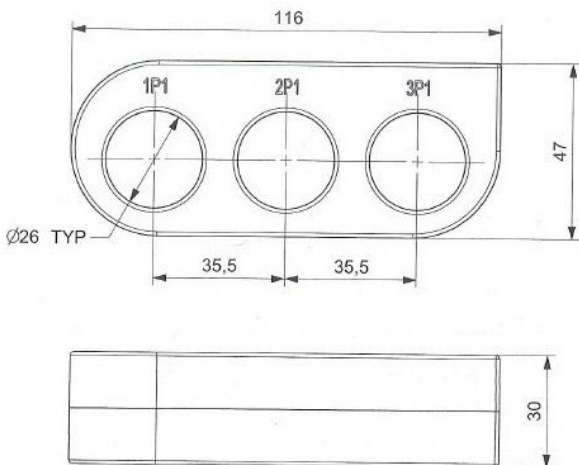
RISH RJ 12 - 65/90/116:



X308: 63A



X306: 125A



X307: 250A



Measure



Control



Record



Analyze

Ordering Information

Order Code for RJ- 65 / 90 /116

Product Code	X30X-	XXX	XX	X	X	X	X	XX	XX
Type	RJ12-65 63 A	X308							
	RJ12-90 125 A	X306							
	RJ12-116 250 A	X307							
Primary Current	63 A	063							
	125 A	125							
	250 A	250							
Secondary Current	100 mA		10						
VA	0.1 VA			1					
Accuracy Class	0.5				1				
Colour	Black					B			
	Gray					G			
Company Code	RISHABH						R		
	Other						L		
Reserved								RJ	
Customer Specific								00	

***Secondary cable shall be in black color only.

Example

Sr.No	Description	Ordering Code
1	63/100 mA, 0.1 VA, 0.5 CL, Black, Rishabh, RJ-12	X308-0631011BRRJ00
2	125/100 mA, 0.1 VA, 0.5 CL, Gray, Other, RJ-12	X306-1251011GLRJ00
3	250/100 mA, 0.1 VA, 0.5 CL, Gray, Rishabh, RJ-12	X307-2501011GRRJ00

RJ - 12 Cable Specification

Cable Length: 2m max

Conductor : 26 AWG stranded bare copper

Insulation : Polypropylene

Thickness : 2.4 ± 0.2*

Color-coded : White - Black - Blue - Red - Green - Yellow

Jacket : PVC

Voltage : Max 150V

Conductors : 6 No's

Size of Conductor : 26 AWG stranded copper wire

Temperature: Max Up to 60°C

Material : Flame retardant material

Cable : Silver satin cable

Pinned : straight

Designed for RJ plugs

UL Listed

***Note:- Not Applicable to RJ12-65 / 90 / 116 CT**



Measure



Control



Record



Analyze



RISHABH



Measure



Control



Record



Analyze

RISHABH INSTRUMENTS PVT. LTD.

Domestic (India): +91 253 2202028/99 | marketing@rishabh.co.in

International: +91 253 2202004/06/08/99 | global@rishabh.co.in

www.rishabh.co.in